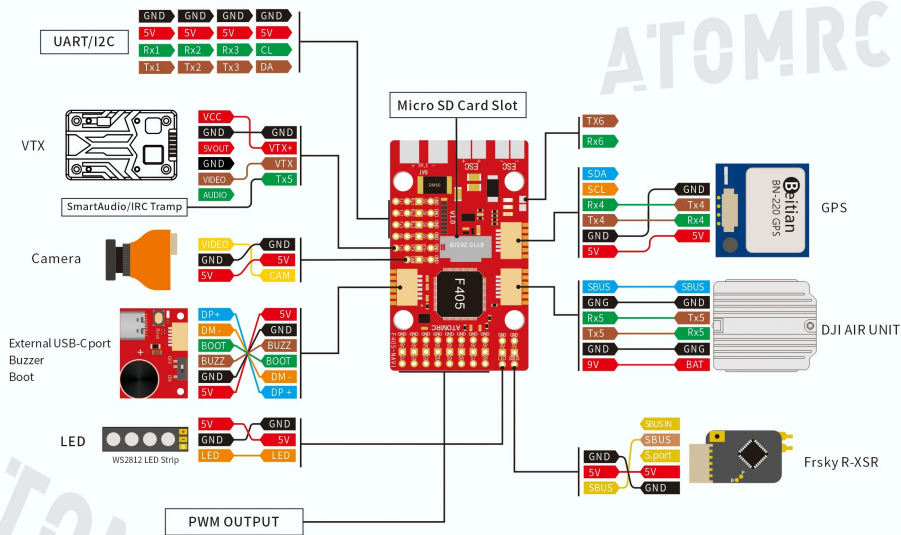
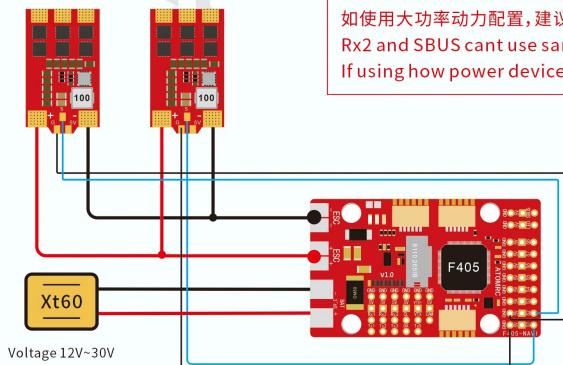


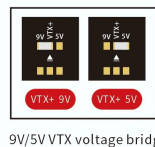
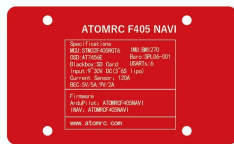
ATOMRC F405NAVI Manual



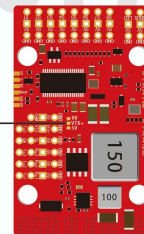
Rx2和和SBUS不能同时使用!
 如使用大功率动力配置, 建议安装滤波电容!
 Rx2 and SBUS cant use same time, SBUS is on inverted Rx2
 If using how power device, suggest solder the capacitor .



mounting size: 30mmX24mm*Φ3mm



9V/5V VTX voltage bridge



SIZE: 50mmX30mmX12mm

ATOMRC F405 NAVI	
飞控芯片/MCU	STM32F405RGT6
陀螺仪/IMU	BMI270
黑匣/BLACK BOX	Micro SD Card
BEC Output	5V/5A; 9V/2A
Flash	16Mbyte
OSD	AT7456E
PWM Output	PWM*8
串口/Uart	Uarts*6
气压计/ Barometer	SPL06-001
外置USB转接板/External USB-C port	Buzzer/BOOT/Type C
LED	WS2812 LED Strip
飞控固件/Firmware	ArduPilot: ATOMRCF405NAVI INAV: ATOMRCF405NAVI
电流计/ Ammeter	120A
电压输入范围/ Voltage Input	12~30V (3~6S Lipo)
固定孔位/Mount Hole	30mm × 24mm × 3mm
重量/Weight	21g
尺寸/Size	50mm × 30mm × 12mm